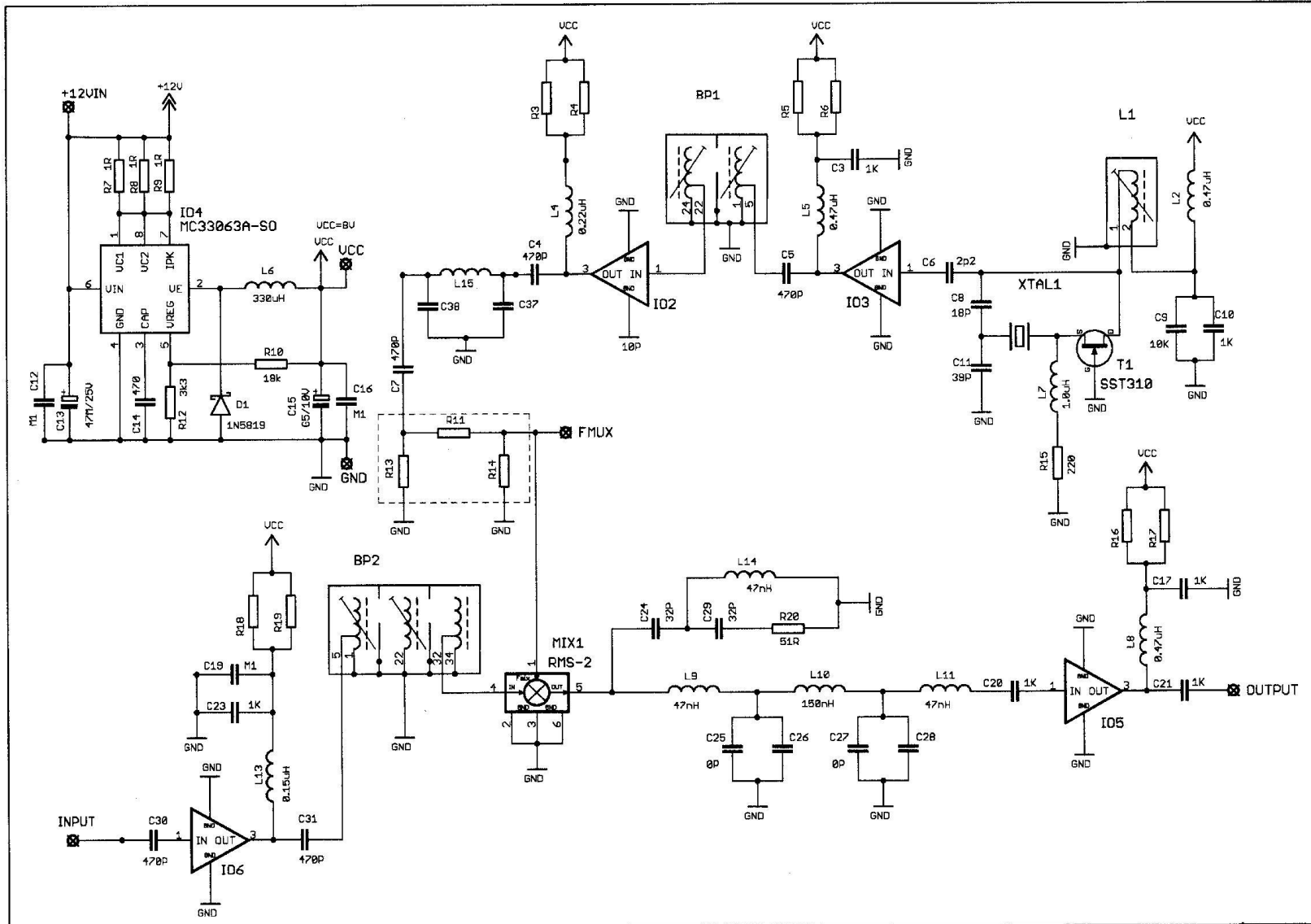


The Converters 144MHz and 432MHz / 28MHz for SDR



The Technical Parameters

Konvertor 144MHz / 28MHz:

G = 38dB

NF = 2 dB

Konvertor 432MHz / 28MHz:

G = 31dB

NF = 3,5dB

	145/28 MHz	432/28 MHz
IO2	MAV11	MAR-3SM
IO3	ERA-3SM	ERA-3SM
IO4	MC33063A-SO	MC33063A-SO
IO5	ERA-5SM	ERA-5SM
IO6	INA02184	MAR-8SM
L1	Neosid 5061	Neosid 5061
L6	09P 330μH	09P 330μH
L2, 4, 5, 7, 8, 13		JCI-2012
L9, 10, 11, 14		SMD 1206
L15	0,1μH	0,03μH
BP1	Neosid	Neosid 80081j06
BP2	TOKO 272MT-1006A	Neosid 80081j06
R3	82R	180R
R4	82R	180R
R5	270R	270R
R6	270R	270R
R11	12R	18R
R13	330R	270R
R14	330R	270R
R16	100R	100R
R17	100R	100R
R18	150R	22R
R19	150R	22R
C37,38	22pF	6,8pF

The Converter 432MHz / 28 MHz - the view on top side



The Converter 432MHz / 28MHz - the view on the bottom side

